

Sludge delivery line

ZX 250 / 11

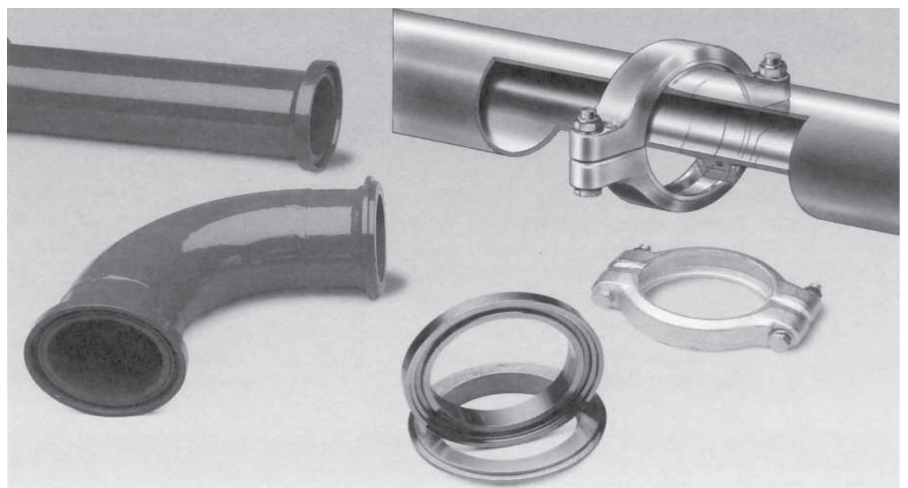
Working Pressure 60 bar

Possible operations:

Especially suitable for paste-like, abrasive media with high dry matter content at high pressures in the delivery line.

Advantages:

- Putzmeister high pressure delivery line with favourably-priced quickaction coupling system, wellproven in 24 hour continuous operation for stationary or temporarily laid pipe lines in sewerage treatment works, paper mills, etc.
- ZX screw couplings are simple and quick to assemble
- The ZX coupling system guarantees an absolutely leak-proof delivery line
- The delivery line centred by the coupling system is straight and rigid



Explanations:

Every ZX line always commences with a ZXV connection piece and finishes with a ZXM one.

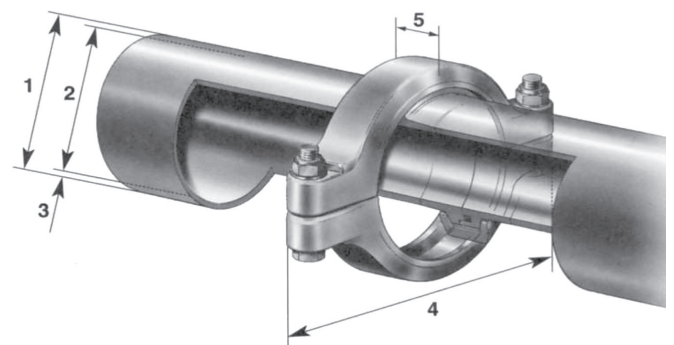
Technical dimensions:

Pipe:

| | |
|---------------------|----------|
| 1. Outside diameter | 267.0 mm |
| 2. Inside diameter | 249.4 mm |
| 3. Wall thickness | 8.8 mm |

Coupling:

| | |
|-----------------------|----------|
| 4. Width | 563.0 mm |
| 5. Fitting dimensions | 104.0 mm |



Couplings / Seals

| Designation | | Part-Nr. | Approx. Weight unit/kg | Partgroup/disc. level |
|----------------|-------------------|-----------|------------------------|-----------------------|
| Screw coupling | ZX-S 130 bar dyn. | 231418005 | 47.7 | 5 |
| Seal | 295.0 x 12.0 | 296687004 | 0.12 | 5 |

Delivery pipes / Welding rings

| Designation | | Part-Nr. | Approx. Weight unit/kg | Partgroup/disc. level |
|---------------|--------------------|-----------|------------------------|-----------------------|
| Delivery pipe | 1000 mm lg | 418657 | on request | 5 |
| Delivery pipe | 2000 mm lg | 418658 | on request | 5 |
| Delivery pipe | 6000 mm lg | 418659 | on request | 5 |
| Raw pipe | approx. 6000 mm lg | 418656 | on request | on request |
| Welding ring | ZXV | 295917005 | 16.82 | 5 |
| Welding ring | ZXM | 295921004 | 16.82 | 5 |

Large radius elbows

| Designation | | Part-Nr. | Approx. Weight unit/kg | Partgroup/disc. level |
|---------------------|------------------|------------|------------------------|-----------------------|
| Large radius elbows | 15°, r = 1000 HD | 418664 | on request | 5 |
| Large radius elbows | 30°, r = 1000 HD | 418663 | on request | 5 |
| Large radius elbows | 45°, r = 1000 HD | 418662 | on request | 5 |
| Large radius elbows | 90°, r = 1000 HD | 418663 | on request | 5 |
| Large radius elbows | 15°, r = 2000 HD | on request | on request | on request |
| Large radius elbows | 30°, r = 2000 HD | on request | on request | on request |
| Large radius elbows | 45°, r = 2000 HD | on request | on request | on request |
| Large radius elbows | 90°, r = 2000 HD | on request | on request | on request |

Cleaning accessories

| Designation | | Part-Nr. | Approx. Weight unit/kg | Partgroup/disc. level |
|-------------------|--------------|------------|------------------------|-----------------------|
| Cleaning port lid | D 280 - fest | 239334000 | 3.2 | 7 |
| Sponge cube hard | ZXM | on request | on request | on request |

Other accessories

| Designation | | Part-Nr. | Approx. Weight unit/kg | Partgroup/disc. level |
|-----------------|------------|------------|------------------------|-----------------------|
| Forked pipe | 1000 mm lg | 412743 | 248.0 | 5 |
| T-delivery pipe | 700 mm lg | 415737 | on request | 5 |
| Pipe attachment | complete | on request | on request | on request |
| Lid | ZXV 250/11 | 41371 | on request | 5 |
| Lid | ZXM 250/11 | 413715 | on request | 5 |